

9005 SERIES

VAC ION POWER SUPPLY



- 24 VDC INPUT
- 3 WATT OUTPUT
- HIGH EFFICIENCY
- SHORT CIRCUIT PROTECTION
- REVERSED INPUT PROTECTED
- CURRENT SAMPLE TEST POINT
- 20 TO +60⁰ C TEMP. RANGE

GENERAL SPECIFICATIONS*

INPUT VOLTAGE 20 to 28 VDC	REGULATION (Line/Load/Temp.) 2500 to 3500 VDC
ISOLATION Common Input and Output Returns	CURRENT SAMPLE 1 VDC/ mA
OVERCURRENT PROTECTION 300 mA Input Typical	TEMPERATURE RANGE -20 to 60 ⁰ Centigrade
REVERSED INPUT PROTECTION Up to 50 VDC	WEIGHT 11 oz. Maximum

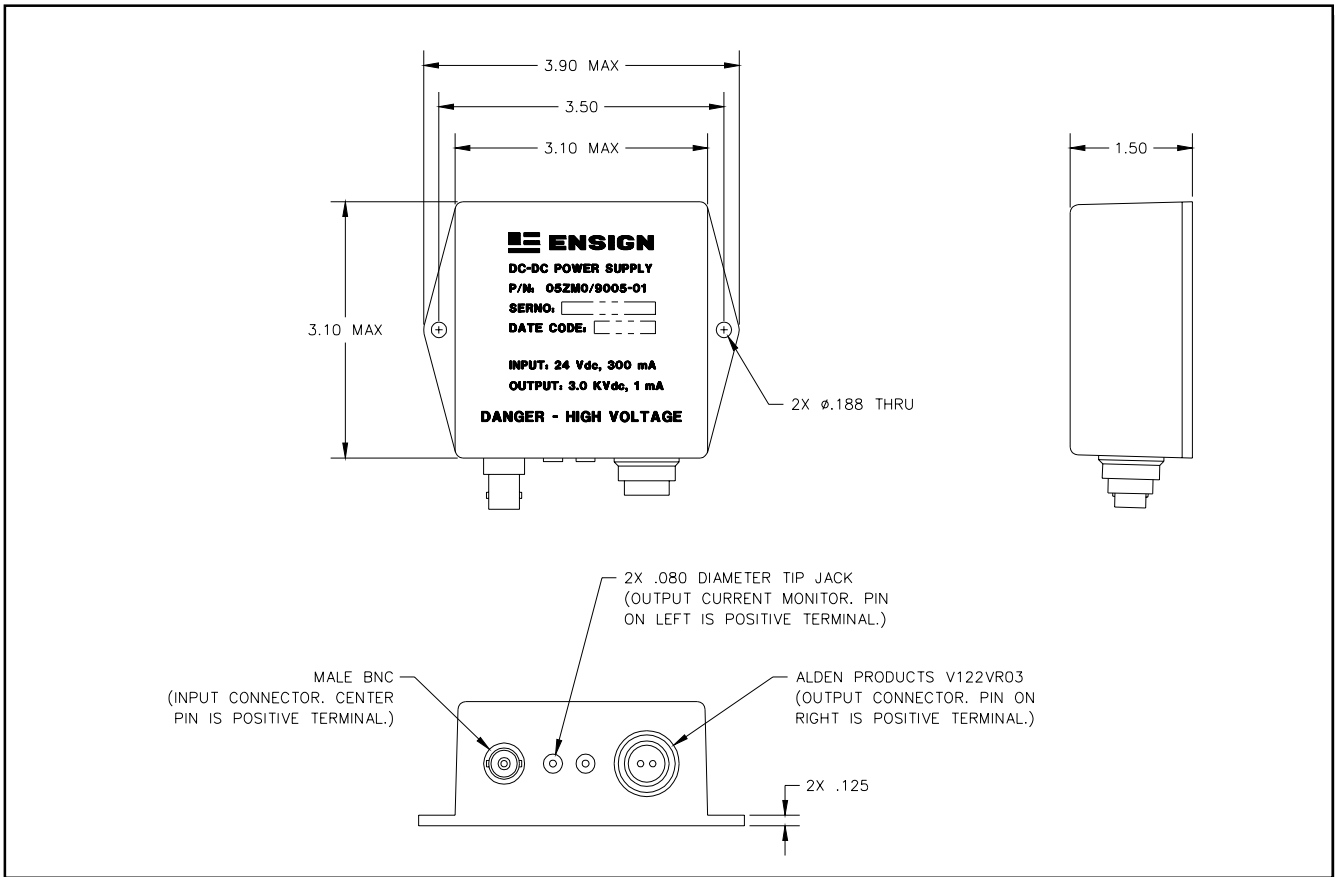
PART NUMBER SELECTION GUIDE**

PART NUMBER	CURRENT MONITOR	OUTPUT VOLTAGE	OUTPUT CURRENT
9005-01	1V/mA	3,000 VDC	1 mA

* Consult factory for detailed specification sheets.

** Consult factory for other voltages and configurations.

OUTLINE DIMENSIONS



OPTIONS: Consult factory for these and other options.

1. Modified input voltage and/or output voltage.
2. Modified electrical and/or mechanical interface.

REPRESENTATIVES

<p>Devon Marketing Company Contact: Rick Guertin</p>	<p>Interactive Component Sales, Inc. Contact: Bob Roper</p>	<p>KM Communications, LLC Contacts: Lisa, Kasai, Glenn Mau</p>	<p>Ensign Power Systems, Inc. Contact: Bill Harris</p>
<p>P.O. Box 778 Devon, PA 19333-0778 Phone: (610) 647-5552 FAX: (610) 647-5553</p>	<p>4645 Spring Canyon Heights #106 Colorado Springs, CO 80907 Phone: (719) 592-0345 FAX: (719) 592-0350</p>	<p>3001 Winchester Blvd. Suite #4 Campbell, CA 95008 Phone: (408) 379-1122 FAX: (408) 879-2822</p>	<p>510 East 5th Street Loveland, CO 80537 Phone: (970) 203-9255 FAX: (970) 203-9322</p>
<p>Region(s): Massachusetts, Connecticut, Rhode Island, E. Pennsylvania, S. New Jersey, Maryland</p>	<p>Region(s): Texas, Florida</p>	<p>Region(s): Northern California, Northern Nevada</p>	<p>Region(s): All Others</p>